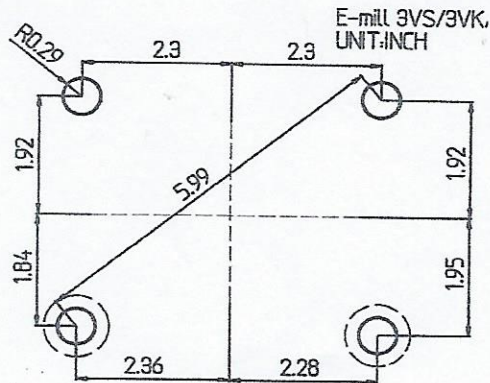




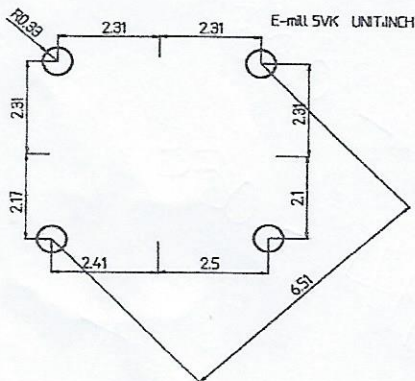
**MACHINERY SERVICES**  
RMS MOVING MANUFACTURING INTO THE FUTURE

1529 Cottage Street Ashland, Ohio 44805 Toll Free: 866-622-4488 Local: 419-281-4488  
Akron: 330-922-4488 www.rmsscnc.com



# GoE-mill

## A Trouble Free Mill Head



- 3 HP "Baldor" High Efficient Motor for High Torque Output
- C.N.C. Vector Type A C Frequency Drive
- Infinite 0-4500 RPM Constant Spindle Speed, Change in No Time- (0-4 Sec.)
- Machine Can Run on Single or Three Phase without changing the wiring.
- Low maintenance & down time cost because no plastic insert, key & moving pulley.
- No R.P.M. changer break down but accurate reading on R.P.M. to prolong tool life.
- Electronic & Mechanical Brake for a High Torque Output.
- No Belt Slippage For High Efficient Torque Output
- Boring & tapping application.
- Save energy costs up to 35%

Keeping You Competitive Since 1995



A+ Rating